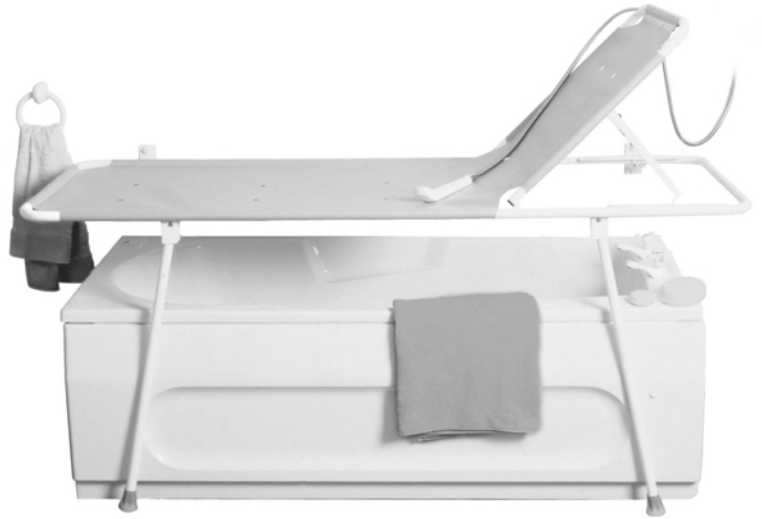




British Manufacturer

# Showering & Bathing Solutions



# Shower Trolley and Stretcher Ranges



## Shower Trolley, Stretcher & Bench Range

### Showering solutions for home, leisure and caring environments

The Chiltern Invadex range of shower trolleys and stretchers offer a safe and hygienic showering solution for those who require bathing in the supine or prone position with the aid of a carer.

#### Shower Stretcher Range

The standard range comprises three wall mounted stretchers which have been carefully designed for use over a bath or in a wet room area.

The intuitive fold up design allows stretchers to fold neatly against the wall when not in use providing full access to the bath as required.



The range has been developed and tested in accordance with international standards to provide confidence in a safe and robust product.

The TRT11 and TRT12 provide a secure and comfortable reinforced uPVC showering platform with drainage holes to allow water to run away quickly. Whilst the TRT13 provides a padded liner with drainage pipe and the added security of a fold down cot side.

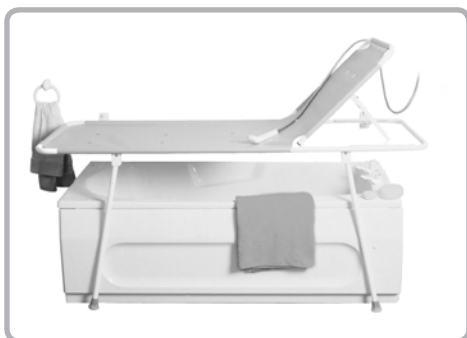
Used in conjunction with a ceiling mounted hoist, a shower stretcher provides a cost effective solution to patient bathing whilst reducing the risks associated with manual handling.

Providing a sturdy base, the shower stretcher range can be used for bathing, drying and dressing.

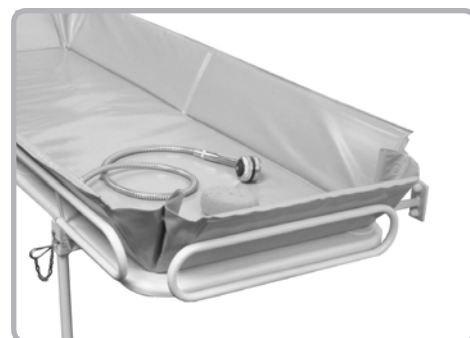
In addition to the standard range, bespoke stretchers can be manufactured at our Oxfordshire facility to suit users with specific needs. This includes alterations to height, width, length and the addition of cot sides (TRT11 and TRT12).



**TRT11** provides a safe showering platform



**TRT12** includes a height adjustable backrest (Right hand shown)



**TRT13** padded liner with the benefit of cot sides

# Shower Trolley Range

The Chiltern Invadex range of shower trolleys comprises four heavy duty models, one static height and three height adjustable, each has been carefully designed and tested to meet the safety requirements of BS EN 12182.

Trolleys provide a secure and robust base for showering able to withstand loads of upto 30st (190kg).

Each model benefits from a comfortable padded liner with head cushion and has been designed with the safety of both user and carer in mind.

Drop down side rails have been incorporated onto both sides to aid transfers and provide extra security where involuntary movement may be an issue.

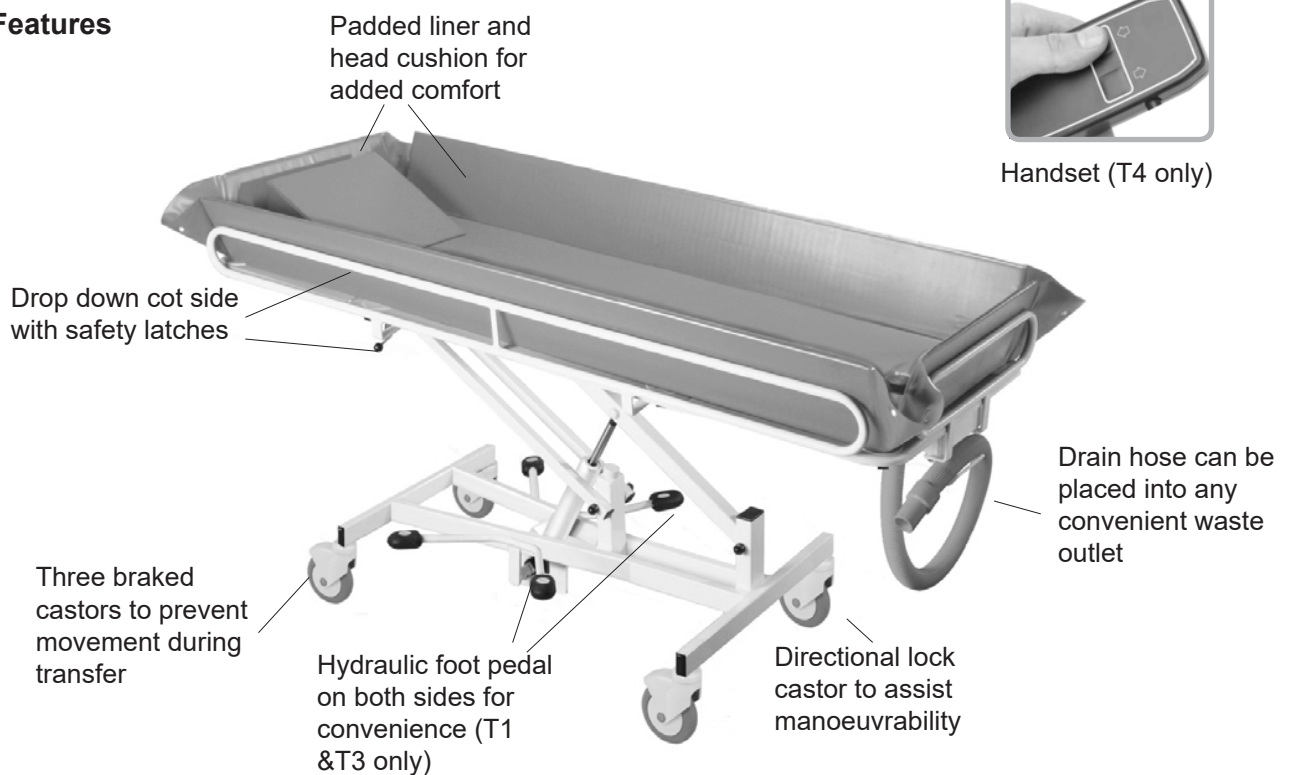
T1, T3 and T4 models are height adjustable and can be set at a height convenient for the carer to reduce the risk of manual handling injury through stretching or leaning.

T1 and T3 height adjustment is controlled using a hydraulic foot pedal. The T4 is operated using a water tight electric actuator controlled via a handset.

Hydraulic trolleys are available in two standard length options. The T1 is designed for adult use while the T3 is designed for use by children and smaller adults upto 4ft.

Bespoke trolleys and accessories can be produced to suit specific user needs including alterations to length, width, height and cot sides.

## Trolley Features



**New**

In addition to standard grey, liners are now available in 20 colour options as a special order, please contact customer services for a colour chart and costings on 01869 365500 Opt 1.



## Height Adjustable Bathing/Changing Benches

Due to popular demand, Chiltern Invadex has added a range of height adjustable stretchers to the bathing range. Each is height adjustable via a handset and is available with cot side for added security.

Two models are available, each with adult and paediatric size options. All boast a reliable electric motor and a 3 year manufacturers warranty.

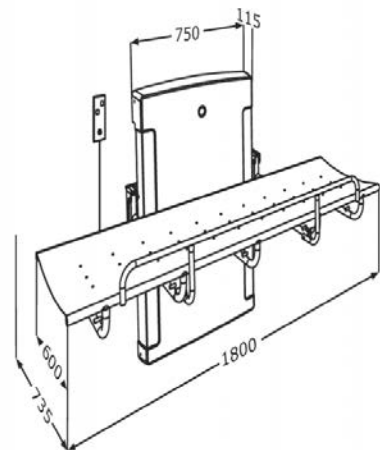
The IDPRS03 and 04 provide a comfortable PVC coated canvas base with drainage holes and have a safe working load of upto 23st (150kg).

The bench has a bathing area which is 600mm wide. The IDPRS03 is 1800mm long, whilst the 04 is 1400mm long.

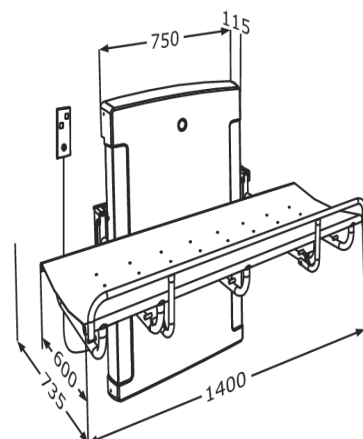
When not in use the bench can be folded neatly against the wall, allowing for a mixed use bathing area.

### Technical Information

IDPRS03



IDPRS04



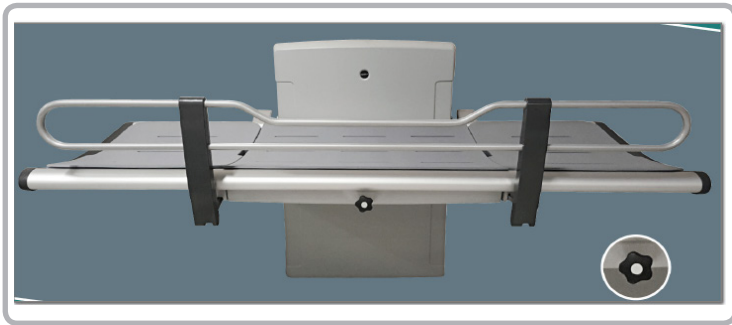
500mm and 900mm above ground level, providing ease of use for a range of carers.

An optional skirt is available to protect carers against splashes.



The IDPRS10 and 11 provide a sturdy curved bathing surface with a safe working load of upto 31st (200kg).

Both have a bathing area which is 700mm wide. It is available in adult and paediatric sizes. The IDPRS10 has an internal bathing area which is 1800mm long, whilst the 11 is 1300mm long.



Shown with optional cot side

The bench is height adjustable from between 300mm and 1000mm above ground level, providing ease of use for a range of carers and transfer methods.

This bench is provided with an adjustable head support as standard. The IDPRS10 model provides support at both ends, allowing the user to be positioned at either end of the bench. The IDPRS11 provides support on the right hand side.



Head support shown in right hand position

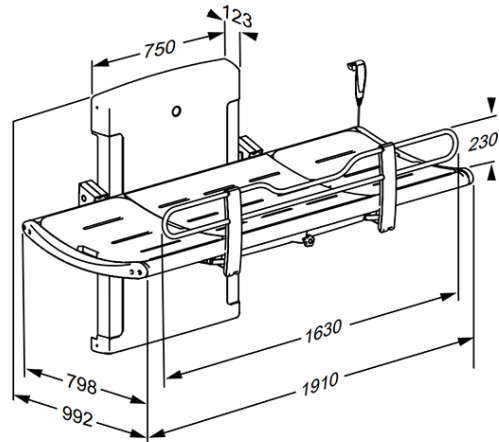
The bench includes an integral water collection tray which directs waste water into a drain, reducing splashing and water runoff onto the floor.



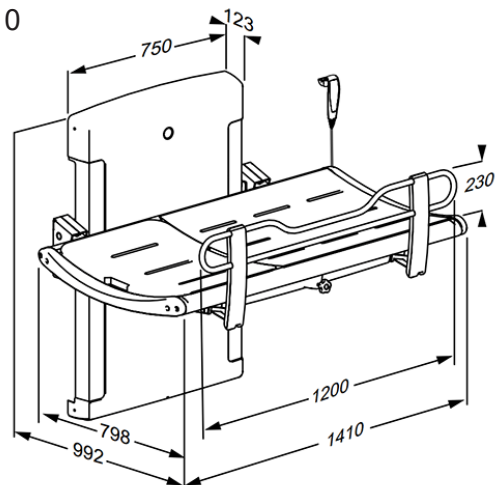
An integrated gas cylinder enables the bench to easily folded against the way when not in use.



## Technical Information



IDPRS10



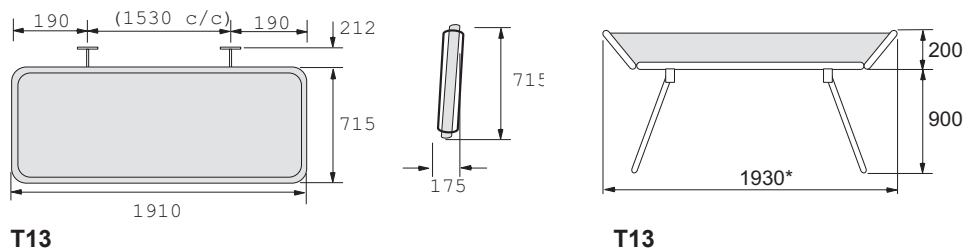
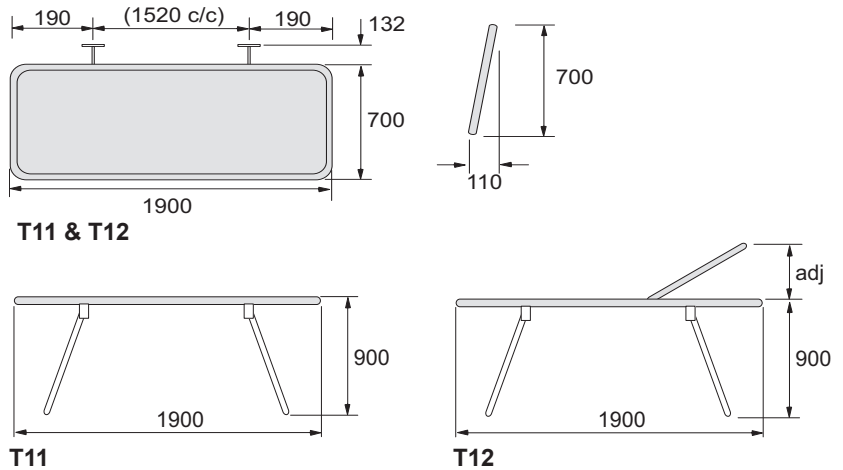
IDPRS11

**Shower Stretchers**  
**T11 & T12 (SWL 130kg 20st 286lb)**  
**T13 (SWL 190kg 30st 418lb)**

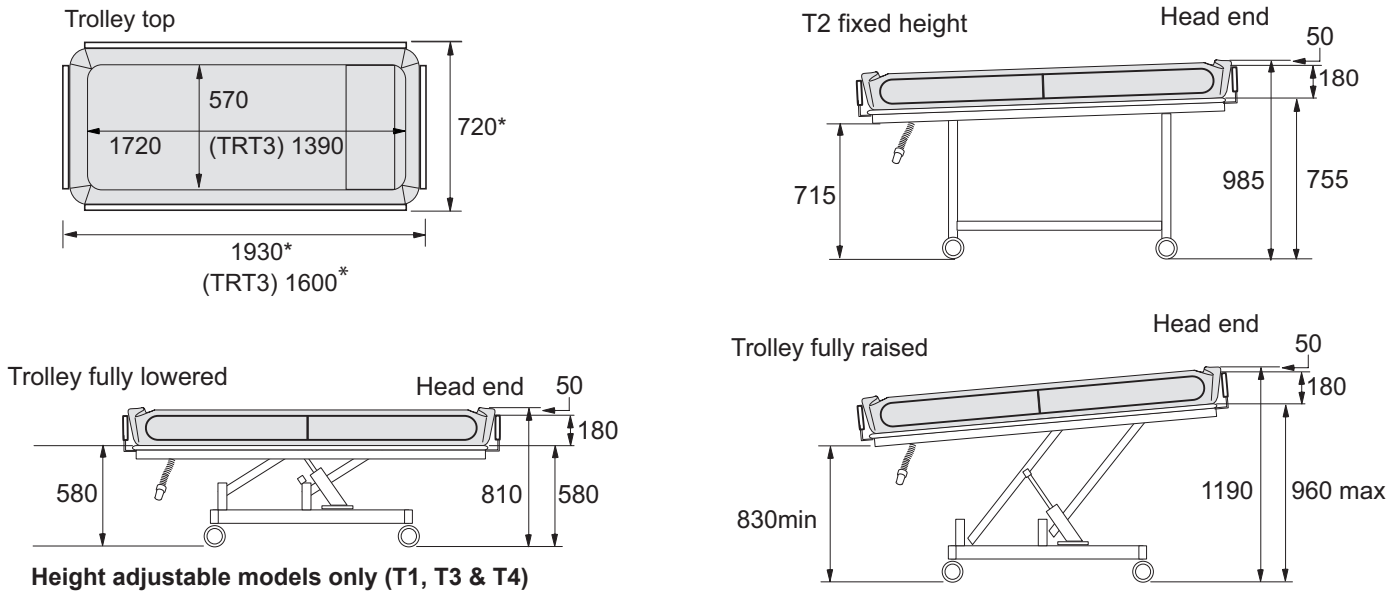
Chiltern Invadex (UK) Limited  
 Unit 6C Thorpe Drive  
 Banbury  
 Oxfordshire  
 OX16 4UZ

E-mail: sales@chilterninvadex.co.uk  
 Web: www.chilterninvadex.co.uk

Tel: 01869 365500  
 Fax: 01869 365588



**Shower Trolleys (SWL 190kg 30st 418lb)**



Dimensions indicated \* are overall dimensions from the outside of the cot sides

**Installation**

Chiltern Invadex are able to offer a shower stretcher installation service if required. Please contact our service department for a quotation on 01869 365500 Opt 3.

